

MR16 / GU5.3

7.0W - 36° DTW

1800K-2700K

SPECIFICATIONS & TECHNICAL DATA

The 12V EmeryAllen MR16 DTW (Dim to Warm) bulb offers dimmer controlled color temperature adjustment. This smooth temperature transition mimics the natural color shift of dimmed incandescent bulbs.

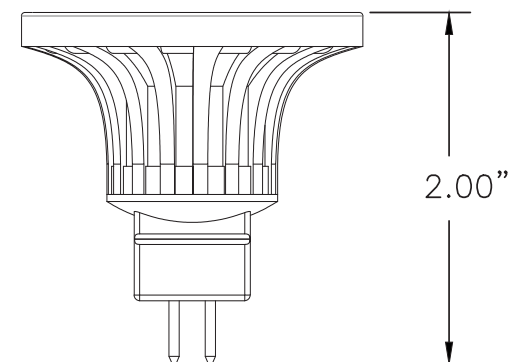
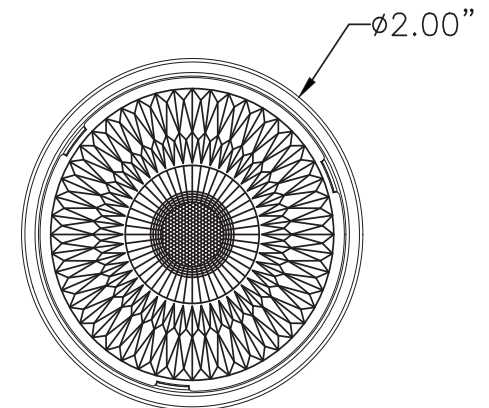
Base Type	GU5.3
Material	Ceramic + PC
Input Voltage	12V AC
Wattage	6.27
Volt-Amperes (VA)	6.67
CRI	92
Brightness	475 lumens
Lumens/Watt	75
Color Temperature Range	1800K - 2700K
R9	53
R13	95
Halogen Equivalent	50W
Beam Angle	36 degrees
Life	36,000 hours
Warranty	Limited Lifetime*

Available Models:

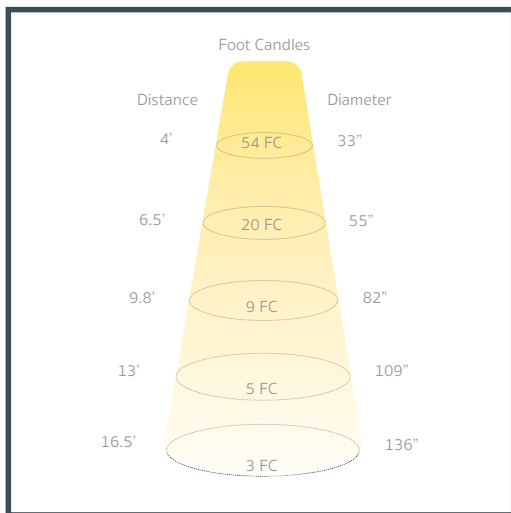
- EA-MR16-7.0W-36D-DTW-2718-D

Dimming:

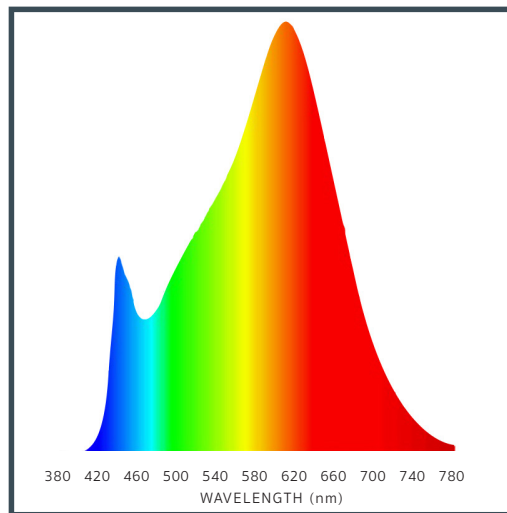
- Dimmable with most magnetic and electronic LED compatible transformers
- Dimmable with most MLV and ELV dimmers



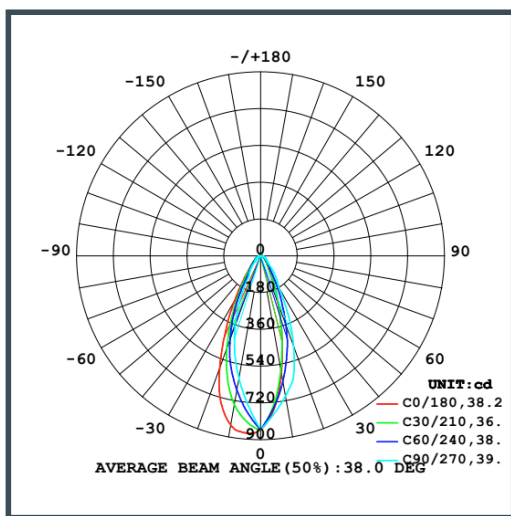
CANDELA DISTRIBUTION



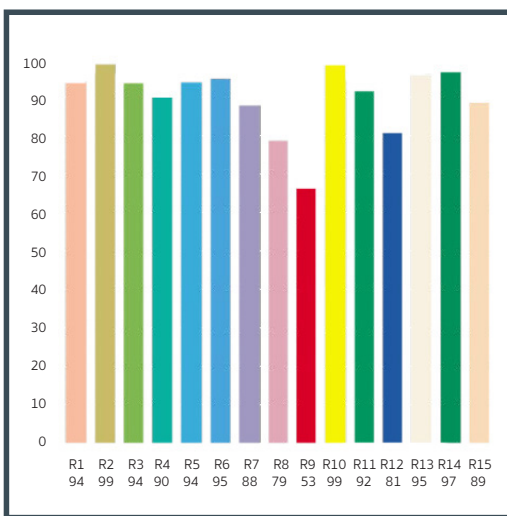
SPECTRAL DISTRIBUTION



LUMINOUS INTENSITY



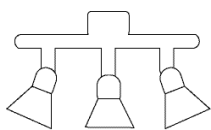
CRI VALUES R1-R15



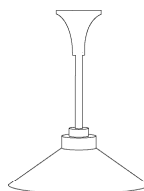
APPLICATIONS

Because of their small size, ability to be enclosed and numerous combinations of options, our MR16 can be used in a variety of applications. Here are a few common ones.

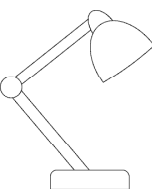
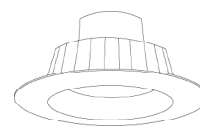
TRACK LIGHTING



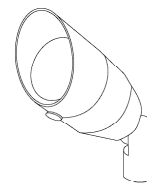
PENDANTS



RECESSED LIGHTING



TASK LIGHTING



LANDSCAPE LIGHTING